

## AF2 Series

# SCREEN FILTERS

Effortlessly maintain infrastructure with Autofine Self-Cleaning Solution; for hot and cold water, automatic cycles triggered by pressure difference ensure peak performance, saving time and money.

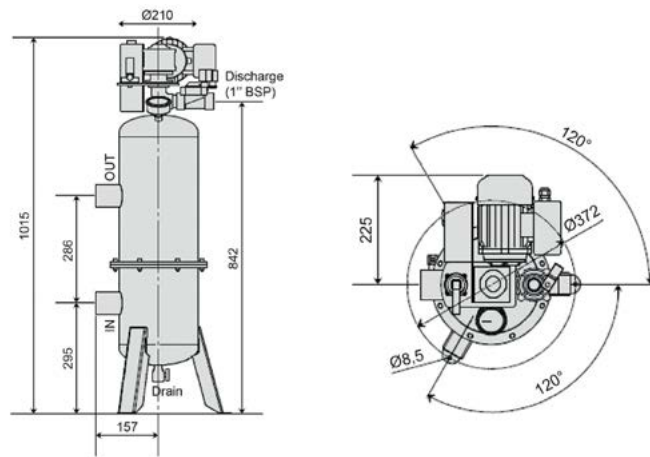


**AF2-50, AF2-80**

## FEATURES

- Flows up to 12.5 L/s
- Pressure differential backwash control
- Control panel with indication lights and volt free contacts
- Low consumption for backwash
- Screen sizes available as detailed below
- 304 Grade stainless steel housing (316L available)
- Min operating pressure: 200kPa
- Max operating pressure: 1,000kPa
- 50mm BSP, 80mm BSP, DN80 flange inlet/outlet
- Backwash counter to monitor number of cleaning cycles performed

# PLANS/ DRAWINGS



## OPERATIONAL REQUIREMENTS

MODEL	INLET/ OUTLET	Max. flow rate (m <sup>3</sup> /h)	Filtration degree (µm)															
			2	3	6	11	20	30	40	50	60	80	100	200	300	400		
AF2-50	2" BSPF		12	8	20	20								25				
AF2-80T	3" BSPF		12	8	20	20	25	30	35	35						45		
AF2-80F	DN80 ISO flanges		12	8	20	20	25	30	35	35						45		

### FILTER SURFACE AREA (CM<sup>2</sup>)

1104

### BACKWASH

Backwash water volume (Litres) 8

Backwash cycle duration (Sec) 5

### MAXIMUM PRESSURE LOSS (KPA)

50

### OPERATING PARAMETERS

Maximum working pressure (kPa) 1000/1600\*

Minimum inlet pressure (kPa) 250

Minimum outlet pressure (kPa) 200

Maximum water temperature (°C) 70/90\*

### POWER

Electrical supply (V/Hz) 240/50

Power rating (Watts) 110

### BMS CONNECTIVITY

Alarm signal & Cleaning signal

### WEIGHT (KG)

Weight (Empty) (kg) 26

### MATERIALS OF CONSTRUCTION

Filter housing SS 304\*\*

Suction arm assembly POM

Solenoid valve (see note) Brass

DP switch (see note) Brass

Filter screen support (see note) SS 316L

Woven Filter screen fabric (3um to 500um) PETP or PA 6.6

Seals EPDM

**NOTE:** Seawater versions are available, using Rilsan coated SS 316L and DP switch and Nylon discharge valve. Fasteners and screen support are Duplex SS. \* 90°C units are available \*\* 316L units are available

Disclaimer. Southland Filtration reserves the right to, at any time change any details of design, specifications and performance figures of any published data.

Freecall 1800 656 771  
[southlandfiltration.com.au](http://southlandfiltration.com.au)

**southland**  
 FILTRATION