

SLC-SS-MC 720/316

SKAN MULTI-CARTRIDGE FILTERS

Versatile solution for water, oils, chemicals, beverages, paints, offering simplicity, speed, and cost-effectiveness over complex systems.

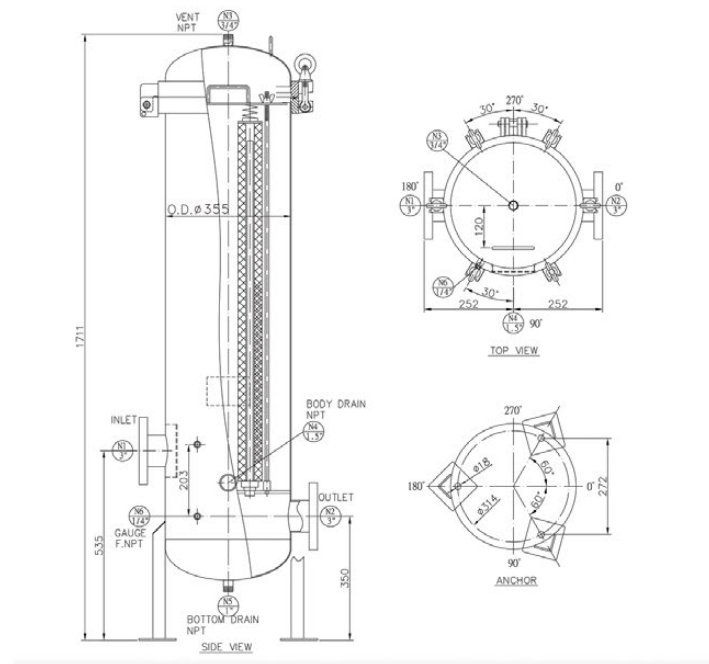


SLC-SS-MC SERIES

FEATURES

- Flows up to 4.5 L/s
- Swingbolt lid closure mechanism
- Side inlet, side outlet
- Includes vent valve and pressure gauge
- 316 Grade stainless steel construction
- 50mm (2") BSPF inlet/outlet

PLANS/DRAWINGS



OPERATIONAL REQUIREMENTS

PRODUCT CODE

S05400502

FLOW RATES (M³/HR)

Max Flow Rate 264 L/m (15.8m³/h)

TEMPERATURE

Max temperature 110° C

OPERATING PRESSURES (KPA)

Max operating pressure 1000 kPa

CONNECTIONS

Inlet/Outlet (BPSM) 2" BSP (50mm)

FILTER SURFACE AREA (M²)

0.70m²

MICRON RATINGS AVAILABLE

1um, 5um, 10um, 20um, 50um

WEIGHT (KG)

Packaged (kg)

Empty

In service (water)

INSTALLED DIMENSIONS (MM)

Height 778

Width 230

Depth 230

Disclaimer. Southland Filtration reserves the right to, at any time change any details of design, specifications and performance figures of any published data.

Freecall 1800 656 771
southlandfiltration.com.au

southland
 FILTRATION

SLC-SS-MC 740/316

SKAN MULTI-CARTRIDGE FILTERS

Versatile solution for water, oils, chemicals, beverages, paints, offering simplicity, speed, and cost-effectiveness over complex systems.

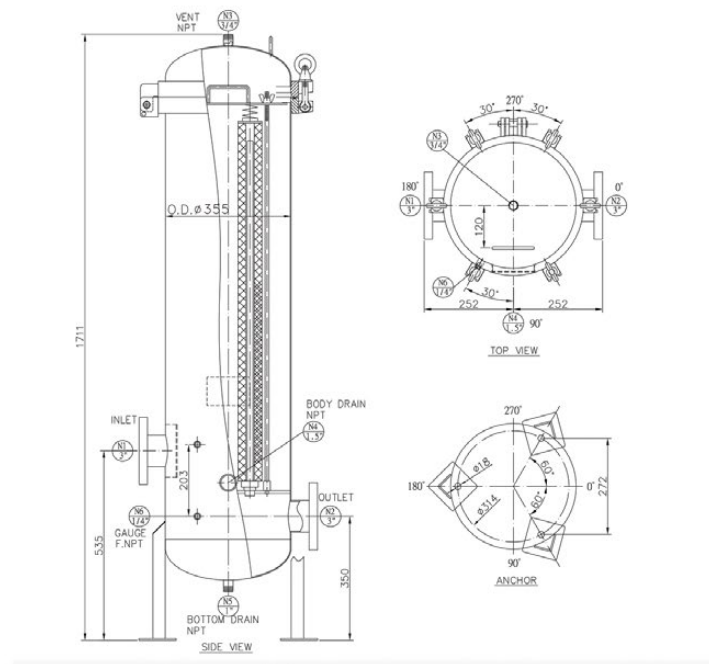


SLC-SS-MC SERIES

FEATURES

- Flows up to 8.7 L/s
- Swingbolt lid closure mechanism
- Side inlet, side outlet
- Includes vent valve and pressure gauge
- 316 Grade stainless steel construction
- 50mm (2") BSPF inlet/outlet

PLANS/DRAWINGS



OPERATIONAL REQUIREMENTS

PRODUCT CODE	
S05400504	
FLOW RATES (M ³ /HR)	
Max Flow Rate	526 L/m (31.5m ³ /h)
TEMPERATURE	
Max temperature	110° C
OPERATING PRESSURES (KPA)	
Max operating pressure	1000 kPa
CONNECTIONS	
Inlet/Outlet (BPSM)	2" BSP (50mm)
FILTER SURFACE AREA (M ²)	
1.38m ²	

MICRON RATINGS AVAILABLE	
1um, 5um, 10um, 20um, 50um	
WEIGHT (KG)	
Packaged (kg)	
Empty	30kg
In service (water)	60kg
INSTALLED DIMENSIONS (MM)	
Height	1285
Width	230
Depth	230

Disclaimer. Southland Filtration reserves the right to, at any time change any details of design, specifications and performance figures of any published data.

Freecall 1800 656 771
southlandfiltration.com.au

southland
 FILTRATION