

## SLC-MP-1025

# SKAN BAG & CARTRIDGE FILTERS

Versatile solution for water, oils, chemicals, beverages, paints, offering simplicity, speed, and cost-effectiveness over complex systems.

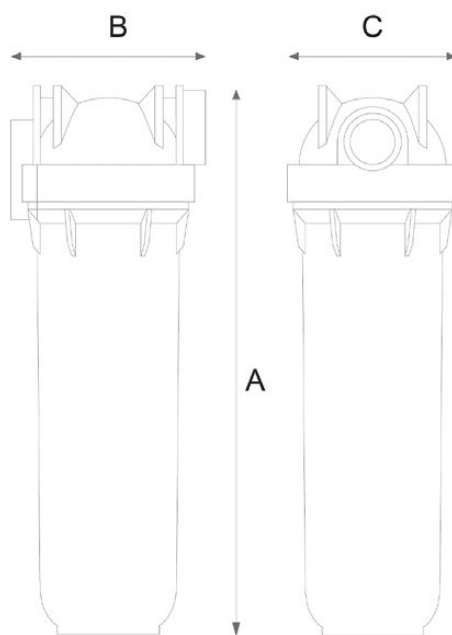


## SLC-MP SERIES

## FEATURES

- Flows up to 1.25 L/s
- Durable reinforced polypropylene housings, larger diameter (4.5")
- Pressure relief/bleed valve
- Supplied with mounting screws, bracket & spanner.
- Watermark® Certification
- Max operating pressure: 830kPa
- Max operating temperature: 45°C
- Min operating temperature: 4°C

# PLANS/DRAWINGS



## OPERATIONAL REQUIREMENTS

### PRODUCT CODE

S05300501

### FLOW RATES (M<sup>3</sup>/HR)

Max Flow Rate 75L/m (4.7m<sup>3</sup>/h)

### TEMPERATURE

Max temperature 45°C

### OPERATING PRESSURES (KPA)

Max operating pressure 830 kPa

### CONNECTIONS

Inlet/Outlet (BPSM) 1" BSP (25mm)

### FILTER SURFACE AREA (M<sup>2</sup>)

### MICRON RATINGS AVAILABLE

1um, 5um, 10um, 20um, 50um

### WEIGHT (KG)

Packaged (kg)

Empty

In service (water)

### INSTALLED DIMENSIONS (MM)

Height 360

Width 190

Depth 185

Disclaimer. Southland Filtration reserves the right to, at any time change any details of design, specifications and performance figures of any published data.

**Freecall 1800 656 771**  
[southlandfiltration.com.au](http://southlandfiltration.com.au)

**southland**  
FILTRATION

## SLC-MP-2025

# SKAN BAG & CARTRIDGE FILTERS

Versatile solution for water, oils, chemicals, beverages, paints, offering simplicity, speed, and cost-effectiveness over complex systems.

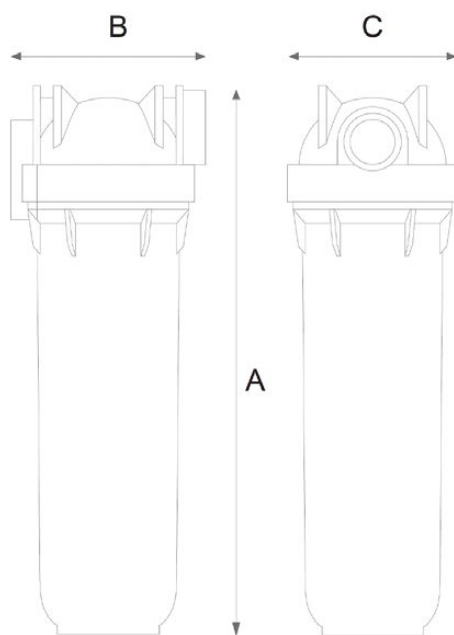


## SLC-MP SERIES

## FEATURES

- Flows up to 2.0 L/s
- Durable reinforced polypropylene housings, larger diameter (4.5")
- Pressure relief/bleed valve
- Supplied with mounting screws, bracket & spanner.
- Watermark® Certification
- Max operating pressure: 830kPa
- Max operating temperature: 45°C
- Min operating temperature: 4°C

# PLANS/DRAWINGS



## OPERATIONAL REQUIREMENTS

### PRODUCT CODE

S05300502

### FLOW RATES (M<sup>3</sup>/HR)

Max Flow Rate 120L/m (7.2m<sup>3</sup>/h)

### TEMPERATURE

Max temperature 45°C

### OPERATING PRESSURES (KPA)

Max operating pressure 830 kPa

### CONNECTIONS

Inlet/Outlet (BPSM) 1" BSP (25mm)

### FILTER SURFACE AREA (M<sup>2</sup>)

### MICRON RATINGS AVAILABLE

1um, 5um, 10um, 20um, 50um

### WEIGHT (KG)

Packaged (kg)

Empty

In service (water)

### INSTALLED DIMENSIONS (MM)

Height 617

Width 190

Depth 185

Disclaimer. Southland Filtration reserves the right to, at any time change any details of design, specifications and performance figures of any published data.

**Freecall 1800 656 771**  
[southlandfiltration.com.au](http://southlandfiltration.com.au)

**southland**  
FILTRATION

## SLC-MP-2040

# SKAN BAG & CARTRIDGE FILTERS

Versatile solution for water, oils, chemicals, beverages, paints, offering simplicity, speed, and cost-effectiveness over complex systems.

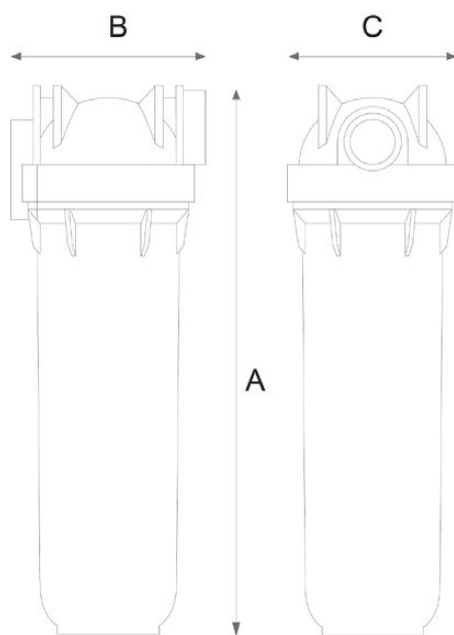


## SLC-MP SERIES

## FEATURES

- Flows up to 3.0 L/s
- Durable reinforced polypropylene housings, larger diameter (4.5")
- Pressure relief/bleed valve
- Supplied with mounting screws, bracket & spanner.
- Watermark® Certification
- Max operating pressure: 830kPa
- Max operating temperature: 45°C
- Min operating temperature: 4°C

# PLANS/DRAWINGS



## OPERATIONAL REQUIREMENTS

### PRODUCT CODE

S05300503

### FLOW RATES (M<sup>3</sup>/HR)

Max Flow Rate 180L/m (10.8m<sup>3</sup>/h)

### TEMPERATURE

Max temperature 45°C

### OPERATING PRESSURES (KPA)

Max operating pressure 830 kPa

### CONNECTIONS

Inlet/Outlet (BPSM) 1½" BSP (40mm)

### FILTER SURFACE AREA (M<sup>2</sup>)

### MICRON RATINGS AVAILABLE

1um, 5um, 10um, 20um, 50um

### WEIGHT (KG)

Packaged (kg)

Empty

In service (water)

### INSTALLED DIMENSIONS (MM)

Height 617

Width 190

Depth 185

Disclaimer. Southland Filtration reserves the right to, at any time change any details of design, specifications and performance figures of any published data.

**Freecall 1800 656 771**  
[southlandfiltration.com.au](http://southlandfiltration.com.au)

**southland**  
FILTRATION