

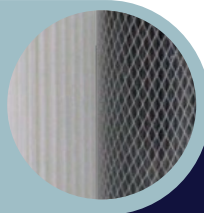
## S4, S5, S6 Series

# FILTRATION AND DISINFECTION MODULE

For control of bacteria, bad taste and odour as well as sediment such as dirt, rust, sand, hard water minerals, clay etc.



**SINGLE STAGED  
SEDIMENT & CARBON  
FILTER + UV DISINFECTION**

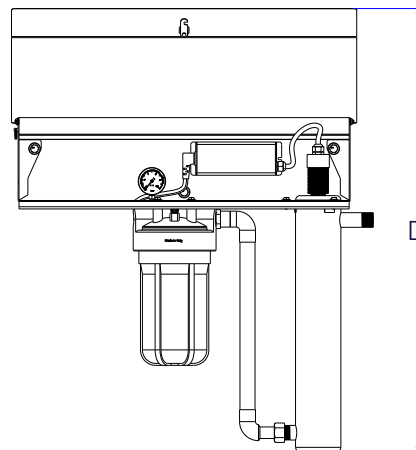
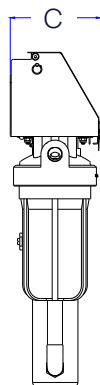
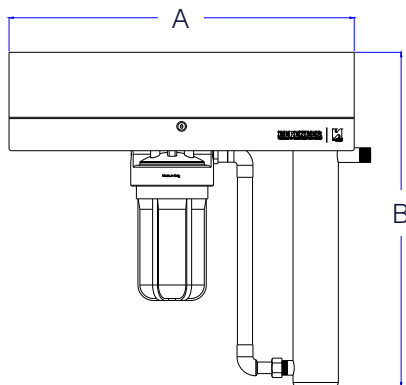


## FEATURES

- **Modular Design** - Pre-packaged design ensure quick and easy installation.
- **Plug & Play** - Pre-packaged design ensures quick and easy assembly
- **Durable** - Reinforced polypropylene housing, complete with 5 micron washable sediment filter
- **Washable Filters** - Washable sediment filter element and carbon filter element for taste/odour removal
- **Maximum Bacteria Kill** - Utilises high output, eco-friendly UV disinfection technology to ensure maximum bacteria kill
- **Protective Cover** - Streamline powder-coated galvanised cover for weather and security protection

# S4 Series

## PLANS/DRAWINGS



## SPECIFICATIONS

### PRODUCT CODE

D00600501

### FLOW RATES

Max flow rate 60L/m (5.4m<sup>3</sup>/h)

### OPERATING PRESSURES

Max pressure 830 kPa

### CONNECTIONS

Inlet/Outlet 1" BSP (25mm)

### POWER

Power supply 1 x 10 Amp GPO

### TEMPERATURE

Max temperature 45°C

### INSTALLED DIMENSIONS (MM)

Width (A)	Height (B)	Depth (C)	Lid open (D)
780	755	205	1060

### REPLACEMENT ELEMENTS

Sediment Cartridge	S15200502
UV Sleeve O-Ring	0R25-SK
UV Lamp	LL053A-S4
UV Thimble	QD060025

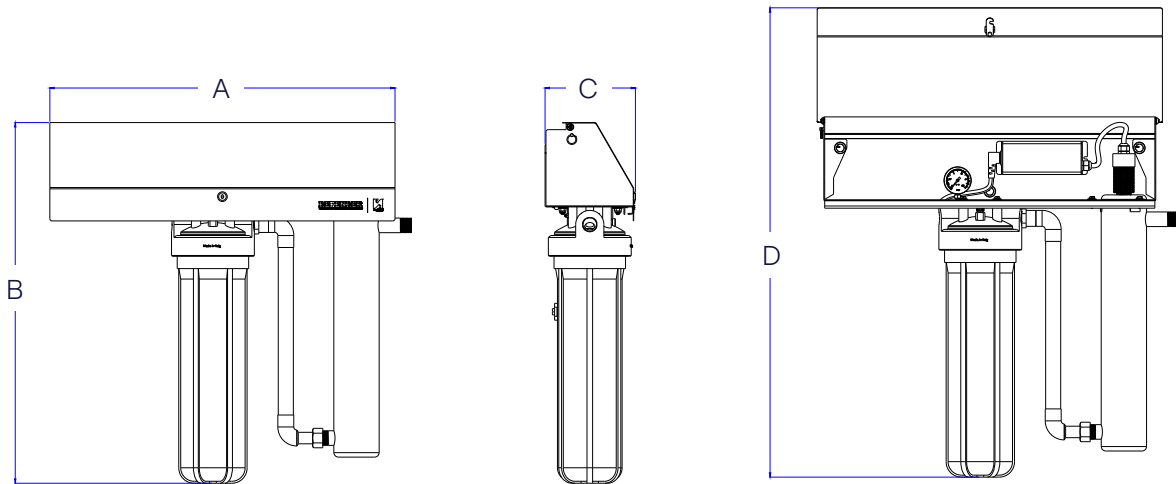
Disclaimer. Southland Filtration reserves the right to, at any time change any details of design, specifications and performance figures of any published data.

Freecall 1800 656 771  
[southlandfiltration.com.au](http://southlandfiltration.com.au)

**southland**  
 FILTRATION

# S5 Series

## PLANS/DRAWINGS



## SPECIFICATIONS

### PRODUCT CODE

D00600502

### FLOW RATES

Max flow rate 120L/m (7.2m<sup>3</sup>/h)

### OPERATING PRESSURES

Max pressure 830 kPa

### CONNECTIONS

Inlet/Outlet 1" BSP (25mm)

### POWER

Power supply 1 x 10 Amp GPO

### TEMPERATURE

Max temperature 45°C

### INSTALLED DIMENSIONS (MM)

Width (A)	Height (B)	Depth (C)	Lid open (D)
780	815	205	1060

### REPLACEMENT ELEMENTS

Sediment Cartridge	S15201002
UV Sleeve O-Ring	0R25-SK
UV Lamp	LL053A-S4
UV Thimble	QD060025

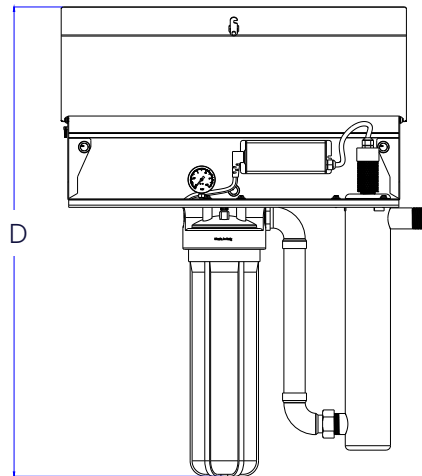
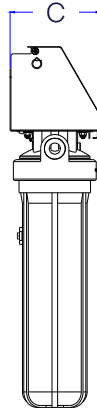
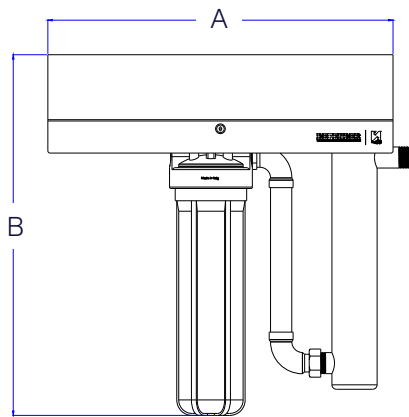
Disclaimer. Southland Filtration reserves the right to, at any time change any details of design, specifications and performance figures of any published data.

Freecall 1800 656 771  
[southlandfiltration.com.au](http://southlandfiltration.com.au)

**southland**  
FILTRATION

# S6 Series

## PLANS/DRAWINGS



## SPECIFICATIONS

### PRODUCT CODE

D00600503

### FLOW RATES

Max flow rate 180L/m (10.8m<sup>3</sup>/h)

### OPERATING PRESSURES

Max pressure 830 kPa

### CONNECTIONS

Inlet/Outlet 1½" BSP (40mm)

### POWER

Power supply 1 x 10 Amp GPO

### TEMPERATURE

Max temperature 45°C

### INSTALLED DIMENSIONS (MM)

Width (A)	Height (B)	Depth (C)	Lid open (D)
780	815	205	1060

### REPLACEMENT ELEMENTS

Sediment Cartridge	S15201002
UV Sleeve O-Ring	0R28-SK
UV Lamp	LL085-S4
UV Thimble	QD060028

Disclaimer. Southland Filtration reserves the right to, at any time change any details of design, specifications and performance figures of any published data.

Freecall 1800 656 771  
[southlandfiltration.com.au](http://southlandfiltration.com.au)

**southland**  
FILTRATION