

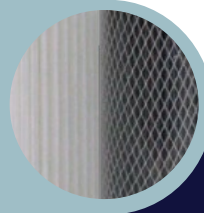
## D7 Series

# FILTRATION AND DISINFECTION MODULE

For control of bacteria, bad taste and odour as well as sediment such as dirt, rust, sand, hard water minerals, clay etc.



**DUAL STAGED SEDIMENT FILTER + AUTO BACKWASHING + UV DISINFECTION**

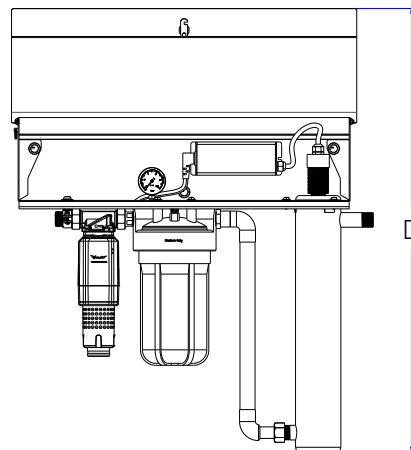
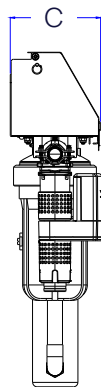
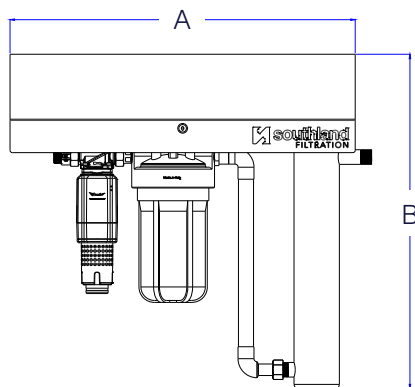


## FEATURES

- **Modular Design** - Pre-packaged design ensure quick and easy installation.
- **Plug & Play** - Compact, pre-packaged design ensures quick and easy installation. Supplied fitted to backboard, minimising footprint.
- **Automatic Backwash Filter** - Complete with Timer Control with 100um stainless steel screen - quality German design and manufacture.
- **Durable** - Reinforced polypropylene housing, complete with 5 micron washable sediment filter
- **Maximum Bacteria Kill** - Utilises high output, eco-friendly UV disinfection technology to ensure maximum bacteria kill
- **Protective Cover** - Streamline powder-coated galvanised cover for weather and security protection

# D7 Series

## PLANS/DRAWINGS



## SPECIFICATIONS

### PRODUCT CODE

D00300501

### FLOW RATES

Max flow rate 60L/m (5.4m<sup>3</sup>/h)

### OPERATING PRESSURES

Max pressure 830 kPa

### CONNECTIONS

Inlet/Outlet 1" BSP (25mm)

### POWER

Power supply 1 x 10 Amp GPO

### TEMPERATURE

Max temperature 45°C

### INSTALLED DIMENSIONS (MM)

Width (A)	Height (B)	Depth (C)	Lid open (D)
780	755	205	1060

### REPLACEMENT ELEMENTS

Sediment Cartridge	S10100502 (5um)
UV Lamp	LL053A-S4
UV Thimble	QDO60025
Thimble O-Ring	OR25-SK

Disclaimer. Southland Filtration reserves the right to, at any time change any details of design, specifications and performance figures of any published data.

Freecall 1800 656 771  
[southlandfiltration.com.au](http://southlandfiltration.com.au)

**southland**  
FILTRATION

## D8-A Series

# FILTRATION AND DISINFECTION MODULE

For control of bacteria, bad taste and odour as well as sediment such as dirt, rust, sand, hard water minerals, clay etc.



**DUAL STAGED SEDIMENT  
FILTER + AUTO BACKWASHING  
+ UV DISINFECTION**



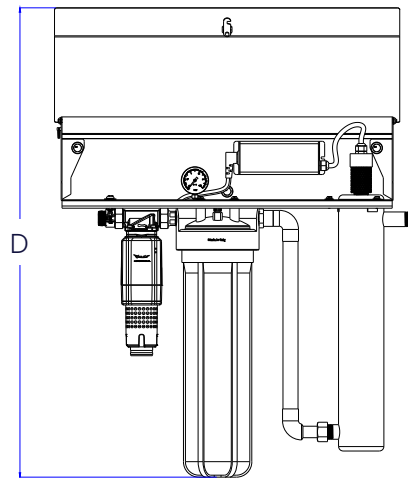
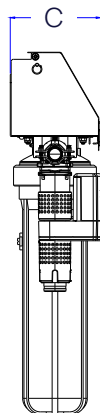
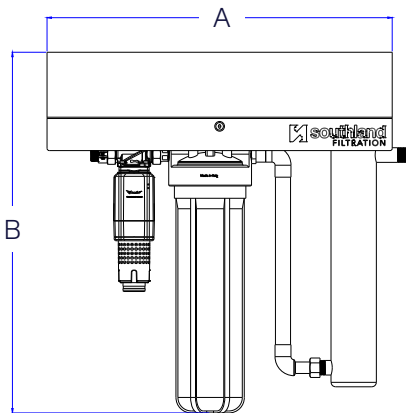
## FEATURES

- **Modular Design** - Pre-packaged design ensure quick and easy installation.
- **Plug & Play** - Compact, pre-packaged design ensures quick and easy installation. Supplied fitted to backboard, minimising footprint.
- **Automatic Backwash Filter** - Complete with Timer Control with 100um stainless steel screen - quality German design and manufacture.
- **Durable** - Reinforced polypropylene housing, complete with 5 micron washable sediment filter
- **Maximum Bacteria Kill** - Utilises high output, eco-friendly UV disinfection technology to ensure maximum bacteria kill
- **Protective Cover option** - Streamline powder-coated galvanised cover for weather and security protection

Freecall 1800 656 771  
[southlandfiltration.com.au](http://southlandfiltration.com.au)

# D8-A Series

## PLANS/DRAWINGS



## SPECIFICATIONS

### PRODUCT CODE

D00300504

### FLOW RATES

Max flow rate 120L/m (7.2m<sup>3</sup>/h)

### OPERATING PRESSURES

Max pressure 830 kPa

### CONNECTIONS

Inlet/Outlet 1" BSP (25mm)

### POWER

Power supply 2 x 10 Amp GPO

### TEMPERATURE

Max temperature 45°C

### INSTALLED DIMENSIONS (MM)

Width (A)	Height (B)	Depth (C)	Lid open (D)
780	815	205	1060

### REPLACEMENT ELEMENTS

Sediment Cartridge	S10100502 (5um)
UV Lamp	LL053A-S4
UV Thimble	QD060025
Thimble O-Ring	OR25-SK

Disclaimer. Southland Filtration reserves the right to, at any time change any details of design, specifications and performance figures of any published data.

Freecall 1800 656 771  
[southlandfiltration.com.au](http://southlandfiltration.com.au)

**southland**  
 FILTRATION

## D9 Series

# FILTRATION AND DISINFECTION MODULE

For control of bacteria, bad taste and odour as well as sediment such as dirt, rust, sand, hard water minerals, clay etc.



**DUAL STAGED SEDIMENT  
FILTER + AUTO BACKWASHING  
+ UV DISINFECTION**

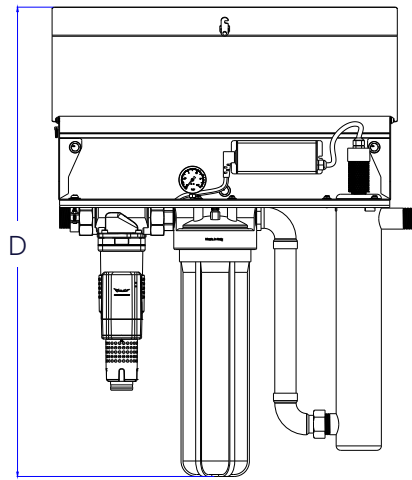
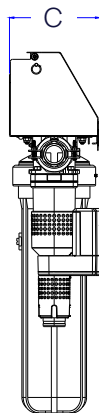
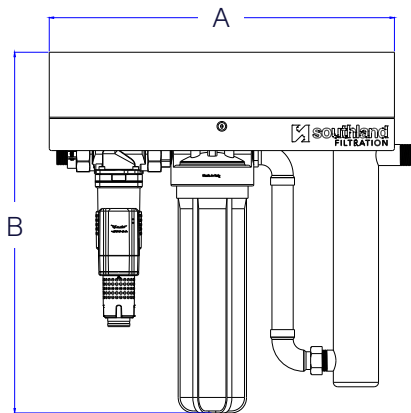


## FEATURES

- **Modular Design** - Pre-packaged design ensure quick and easy installation.
- **Plug & Play** - Compact, pre-packaged design ensures quick and easy installation. Supplied fitted to backboard, minimising footprint.
- **Automatic Backwash Filter** - Complete with Timer Control with 100um stainless steel screen - quality German design and manufacture.
- **Durable** - Reinforced polypropylene housing, complete with 5 micron washable sediment filter
- **Maximum Bacteria Kill** - Utilises high output, eco-friendly UV disinfection technology to ensure maximum bacteria kill
- **Protective Cover option** - Streamline powder-coated galvanised cover for weather and security protection

# D9 Series

## PLANS/DRAWINGS



## SPECIFICATIONS

### PRODUCT CODE

D00301001

### FLOW RATES

Max flow rate 180L/m (10.8m<sup>3</sup>/h)

### OPERATING PRESSURES

Max pressure 830 kPa

### CONNECTIONS

Inlet/Outlet 1½" BSP (40mm)

### POWER

Power supply 2 x 10 Amp GPO

### TEMPERATURE

Max temperature 45°C

### INSTALLED DIMENSIONS (MM)

Width (A)	Height (B)	Depth (C)	Lid open (D)
780	815	205	1060

### REPLACEMENT ELEMENTS

Sediment Cartridge	S10100502 (5um)
UV Lamp	LL085-S4
UV Thimble	QDO60028
Thimble O-Ring	OR28-SK

Disclaimer. Southland Filtration reserves the right to, at any time change any details of design, specifications and performance figures of any published data.

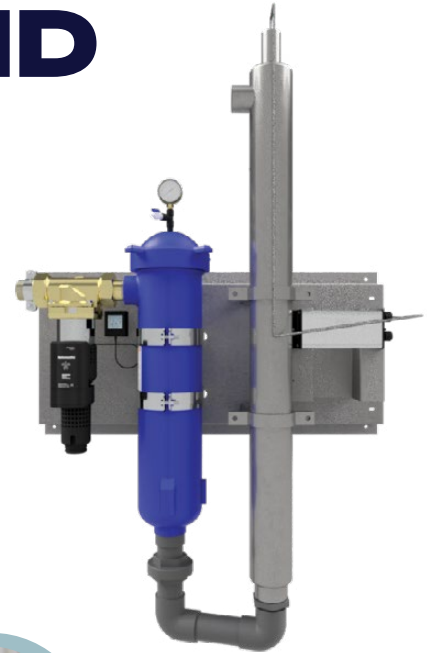
Freecall 1800 656 771  
[southlandfiltration.com.au](http://southlandfiltration.com.au)

**southland**  
 FILTRATION

## D10 Series

# FILTRATION AND DISINFECTION MODULE

For control of bacteria, bad taste and odour as well as sediment such as dirt, rust, sand, hard water minerals, clay etc.



**DUAL STAGED SEDIMENT FILTER + AUTO BACKWASHING + UV DISINFECTION**

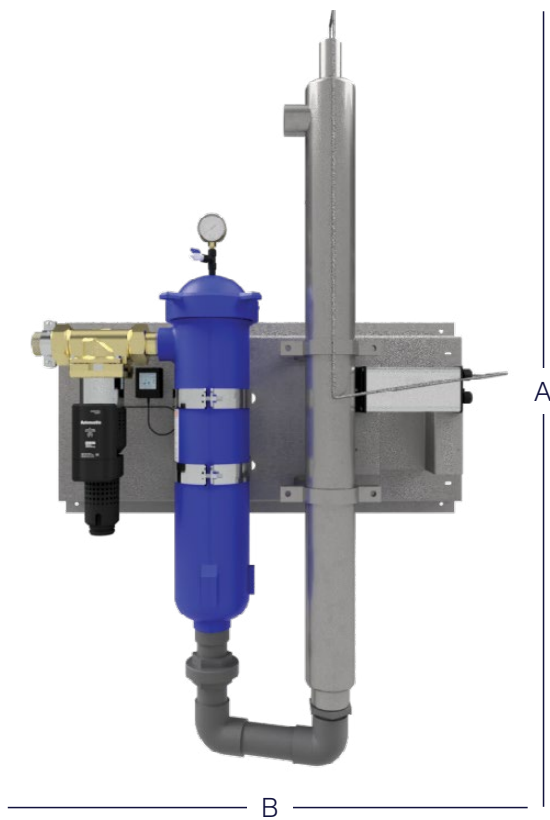


## FEATURES

- **Plug & Play** - Compact, pre-packaged design ensures quick and easy installation. Supplied fitted to backboard, minimising footprint.
- **Automatic Backwash Filter** - Complete with Timer Control with 100um stainless steel screen - quality German design and manufacture.
- **Durable** - Reinforced polypropylene housing, complete with 5 micron washable sediment filter
- **Maximum Bacteria Kill** - Utilises high output, eco-friendly UV disinfection technology to ensure efficiency
- **Optional** - Weatherproof, lockable floor-mount enclosure with HD powder-coat finish

# D10 Series

## PLANS/DRAWINGS



## SPECIFICATIONS

### PRODUCT CODE

D00301501

### FLOW RATES

Max flow rate 300L/m (18.0m<sup>3</sup>/h)

### OPERATING PRESSURES

Max pressure 690 kPa

### CONNECTIONS

Inlet/Outlet 2" BSP (50mm)

### POWER

Power supply 2 x 10 Amp GPO

### TEMPERATURE

Max temperature 45°C

### INSTALLED DIMENSIONS (MM)

Height (A)	Width (B)	Depth (C)
1200	1000	250

\* Additional 1100mm required for removal of UV lamps

### OPTIONAL WEATHERPROOF ENCLOSURE DIMENSIONS (MM)

Height (A)	Width (B)	Depth (C)
1620	1000	400

### REPLACEMENT ELEMENTS

Sediment Cartridge	S10100502 (5um)
UV Lamp	LL180-S4
UV Thimble	QD121028
UV Thimble O-Ring	O28-ST

Disclaimer. Southland Filtration reserves the right to, at any time change any details of design, specifications and performance figures of any published data.

Freecall 1800 656 771  
[southlandfiltration.com.au](http://southlandfiltration.com.au)

**southland**  
FILTRATION