

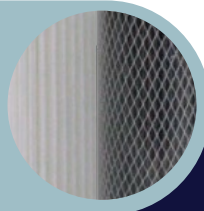
D4, D5, D6 Series

FILTRATION AND DISINFECTION MODULE

For control of bacteria, bad taste and odour as well as sediment such as dirt, rust, sand, hard water minerals, clay etc.



DUAL STAGED SEDIMENT & CARBON FILTER + UV DISINFECTION

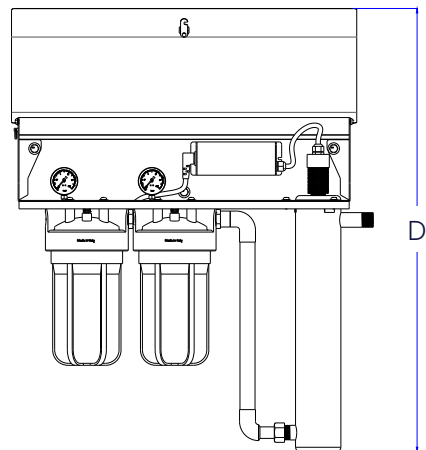
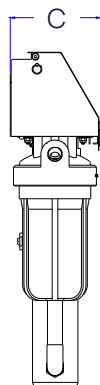
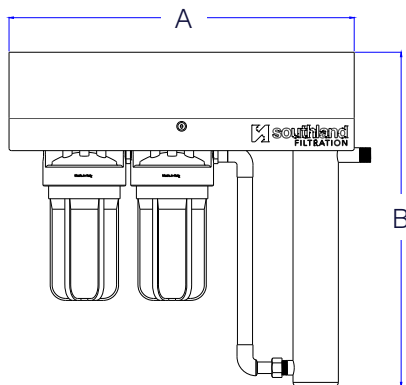


FEATURES

- **Modular Design** - Pre-packaged design ensure quick and easy installation.
- **Plug & Play** - Pre-packaged design ensure quick and easy installation
- **Durable** - Reinforced polypropylene housings, with pressure relief valve, wall-mount bracket and spanner. Moulded twin head system ensures compact installation and no leaks
- **Washable Filters** - Washable sediment filter element and carbon filter element for taste/odour removal
- **Maximum Bacteria Kill** - Utilises high output, eco-friendly UV disinfection technology to ensure maximum bacteria kill
- **Protective Cover** - Streamline powder-coated galvanised cover for weather and security protection

D4 Series

PLANS/DRAWINGS



SPECIFICATIONS

PRODUCT CODE

D00100501

FLOW RATES

Max flow rate 60L/m (5.4m³/h)

OPERATING PRESSURES

Max pressure 830 kPa

CONNECTIONS

Inlet/Outlet 1" BSP (25mm)

POWER

Power supply 1 x 10 Amp GPO

TEMPERATURE

Max temperature 45°C

INSTALLED DIMENSIONS (MM)

Width (A)	Height (B)	Depth (C)	Lid open (D)
780	755	205	1060

REPLACEMENT ELEMENTS

Sediment Cartridge	1um, 5um, 20um, 50um (Refer to pricelist)
Carbon Cartridge	10um (Refer to pricelist)
Quartz Thimble O-Ring	025-SK
UV Lamp	LL053A-S4
Quartz Thimble	QDO60025

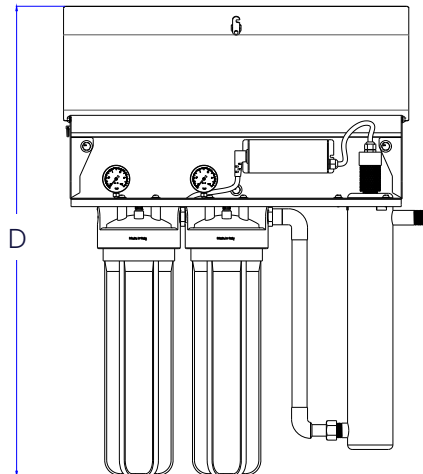
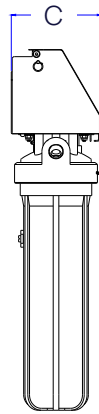
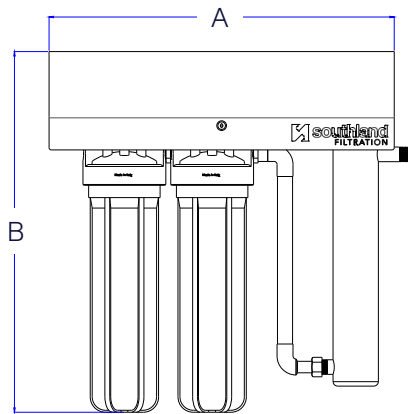
Disclaimer. Southland Filtration reserves the right to, at any time change any details of design, specifications and performance figures of any published data.

Freecall 1800 656 771
southlandfiltration.com.au

southland
 FILTRATION

D5 Series

PLANS/DRAWINGS



SPECIFICATIONS

PRODUCT CODE

D00100502

FLOW RATES

Max flow rate 120L/m (7.2m³/h)

OPERATING PRESSURES

Max pressure 830 kPa

CONNECTIONS

Inlet/Outlet 1" BSP (25mm)

POWER

Power supply 1 x 10 Amp GPO

TEMPERATURE

Max temperature 45°C

INSTALLED DIMENSIONS (MM)

Width (A)	Height (B)	Depth (C)	Lid open (D)
780	815	205	1060

REPLACEMENT ELEMENTS

Sediment Cartridge	1um, 5um, 20um, 50um (Refer to pricelist)
Carbon Cartridge	10um (Refer to pricelist)
Quartz Thimble O-Ring	025-SK
UV Lamp	LL053A-S4
Quartz Thimble	QDO60025

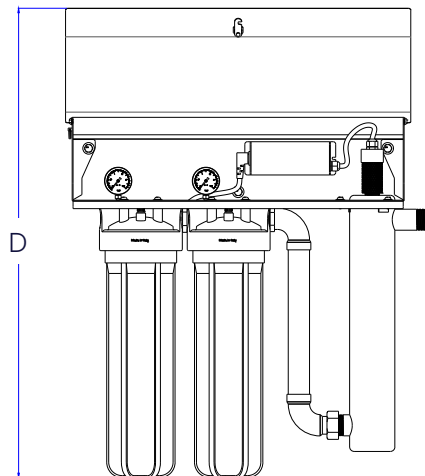
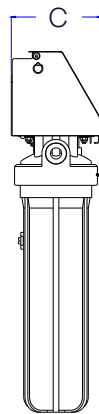
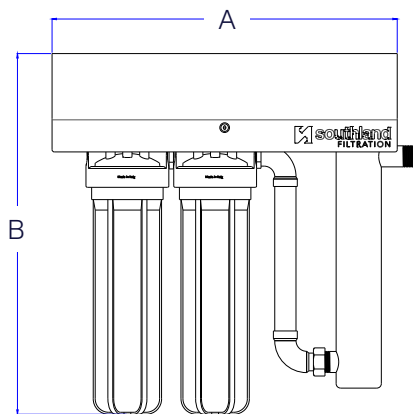
Disclaimer. Southland Filtration reserves the right to, at any time change any details of design, specifications and performance figures of any published data.

Freecall 1800 656 771
southlandfiltration.com.au

southland
 FILTRATION

D6 Series

PLANS/DRAWINGS



SPECIFICATIONS

PRODUCT CODE

D00201001

FLOW RATES

Max flow rate 180L/m (10.8m³/h)

OPERATING PRESSURES

Max pressure 830 kPa

CONNECTIONS

Inlet/Outlet 1½" BSP (40mm)

POWER

Power supply 1 x 10 Amp GPO

TEMPERATURE

Max temperature 45°C

INSTALLED DIMENSIONS (MM)

Width (A)	Height (B)	Depth (C)	Lid open (D)
780	815	205	1060

REPLACEMENT ELEMENTS

Sediment Cartridge	1um, 5um, 20um, 50um (Refer to pricelist)
Carbon Cartridge	10um (Refer to pricelist)
UV Sleeve O-Ring	0R28-SK
UV Lamp	LL085-S4
Quartz Thimble	QDO60028

Disclaimer. Southland Filtration reserves the right to, at any time change any details of design, specifications and performance figures of any published data.

Freecall 1800 656 771
southlandfiltration.com.au

southland
 FILTRATION