

Autofine



AUTOFINE Screen Filters

Fully automatic filtration of hot and cold industrial water, potable water, seawater and membrane pre-filtration, to very fine micron ratings

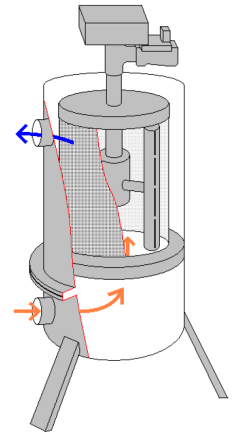


Screen Filters

**Optimum hot and cold water quality
with filtration available down to 0.5 micron**

AUTOFINE filtration is achieved through a multi-layer screen. As soon as the filter is clogged, a pressure switch detects the pressure difference between inlet and outlet and starts the cleaning cycle.

The cleaning cycle is performed by the means of a suction arm which rotates and backwashes the filter screen surface. The cleaning effect is focused on the suction arm holes. A complete rotation of the suction arm is achieved, so that the whole surface is cleaned in one cleaning cycle.



AF1 Series

Code	Max Flow Rate	Inlet/Outlet	Available filtration degree (µm)						
			0.5	1	5	10	20	40	60, 80, 100, 200
AF1-25	6 m³/h	25 BSPM		•	•	•	•	•	•
	8 m³/h	25 BSPM			•	•	•	•	•



AF2 Series

Code	Max Flow Rate	Inlet/Outlet	Available filtration degree (µm)						
			0.5	1	5	10	20	40	60, 80, 100, 200
AF2-50	5 m³/h	50 BSPF	•	•	•	•	•	•	•
	11 m³/h	50 BSPF		•	•	•	•	•	•
	17 m³/h	50 BSPF			•	•	•	•	•
	25 m³/h	50 BSPF					•	•	•
AF2-80	35 m³/h	80 BSPF						•	•
	45 m³/h	80 BSPF							•



AF3 Series

Code	Max Flow Rate	Inlet/Outlet	Available filtration degree (µm)						
			0.5	1	5	10	20	40	60, 80, 100, 200
AF3-80	13 m³/h	80 BSPF	•	•	•	•	•	•	•
AF3-80	30 m³/h	80 BSPF		•	•	•	•	•	•
	45 m³/h	80 BSPF			•	•	•	•	•
AF3-100	70 m³/h	DN100					•	•	•
AF3-150	120 m³/h	DN150							•



- Uninterrupted filtration during backwash. Available in flow rates up to 840m³/hr
- Upper or lower section can be rotated, for flexibility on installation
- Also available for hot water filtration up to 90°C

AF4 Series

Code	Max Flow Rate	Inlet/Outlet	Available filtration degree (µm)						
			0.5	1	6	10	20	40	60, 80, 100, 200
AF4-100	35 m ³ /h		•	•	•	•	•	•	•
AF4-100	70 m ³ /h	DN100		•	•	•	•	•	•
AF4-150	120 m ³ /h	DN150			•	•	•	•	•
AF4-150	160 m ³ /h	DN150					•	•	•
AF4-200	260 m ³ /h	DN200						•	•
AF4-250	340 m ³ /h	DN250							•



Operating parameters	Unit	AF1 series	AF2 series	AF3 series	AF4 series
Maximum working pressure	kPa	500	1000/1600*	1000/1600*	1000*
Minimum inlet pressure	kPa	250	250	250	250
Minimum outlet pressure	kPa	200	200	200	200
Maximum water temperature	°C	50	70/90*	70/90*	70/90*
Operational requirements	Unit	AF1 series	AF2 series	AF3 series	AF4 series
Electrical supply	V/Hz	230/50	230/50	230/50	230/50
Power rating	Watts	60	110	200	370*
Weight (Empty)	kg	15	26	68	210*
Filter surface area	cm ²	690	1104	2813	7960*
Backwash water volume	Litres	5	6	12	48
Backwash cycle duration	Seconds	5	4	4	8
Maximum pressure loss	kPa	50	50	50	50
Materials of construction		AF1 series	AF2 series	AF3 series	AF4 series
Filter housing		SS 304**	SS 304**	SS 304**	SS 304**
Suction arm assembly		PVC	PVC	PVC	PET-P
Solenoid valve		Brass	Brass	Brass	Brass
DP switch		Brass	Brass	Brass	Brass
Filter screen support		SS 316L	SS 316L	SS 316L	SS 316L
Filter screen fabric		PET	PET	PET	PET
Seals		EPDM	EPDM	EPDM	EPDM

NOTE: Seawater versions are available, using SS 316L valves and PD switch

* 90°C units are available

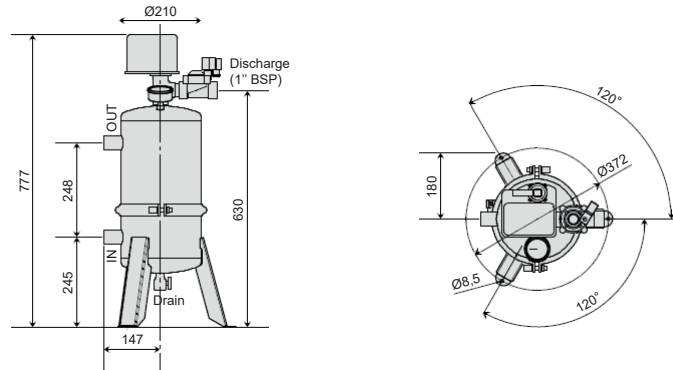
** 316L units are available

Talk to an expert 1800 656 771

Autofine

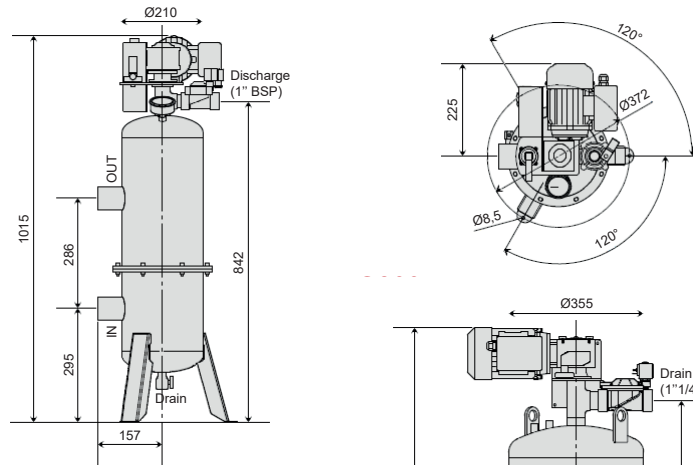
AF1 Series

Code	Max flow rate	Inlet/Outlet
AF1-25	8 m ³ /h	25 BSPM



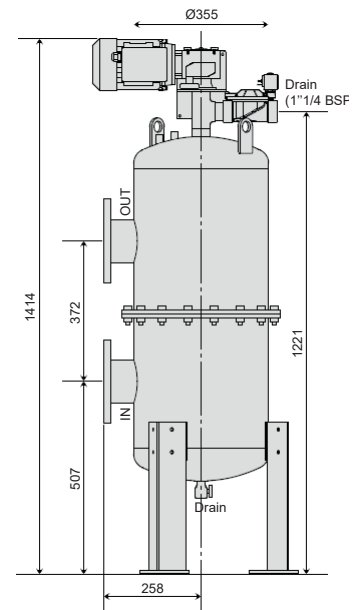
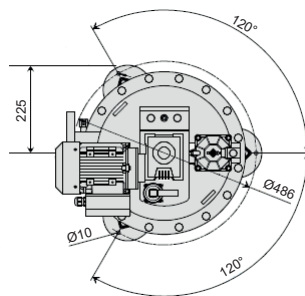
AF2 Series

Code	Max flow rate	Inlet/Outlet
AF2-50	8 m ³ /h	50 BSPF
	17 m ³ /h	50 BSPF
	25 m ³ /h	50 BSPF
AF2-80	45 m ³ /h	80 BSPF



AF3 Series

Code	Max flow rate	Inlet/Outlet
AF3-80	25 m ³ /h	80 BSPF
	45 m ³ /h	80 BSPF
AF3-100	70 m ³ /h	DN100
AF3-150	120 m ³ /h	DN150



AF4 Series

Code	Max flow rate	Inlet/Outlet
AF4-100	70 m ³ /h	DN100
AF4-150	110 m ³ /h	DN150
AF4-150	160 m ³ /h	DN150
AF4-200	260 m ³ /h	DN200
AF4-250	340 m ³ /h	DN250

